



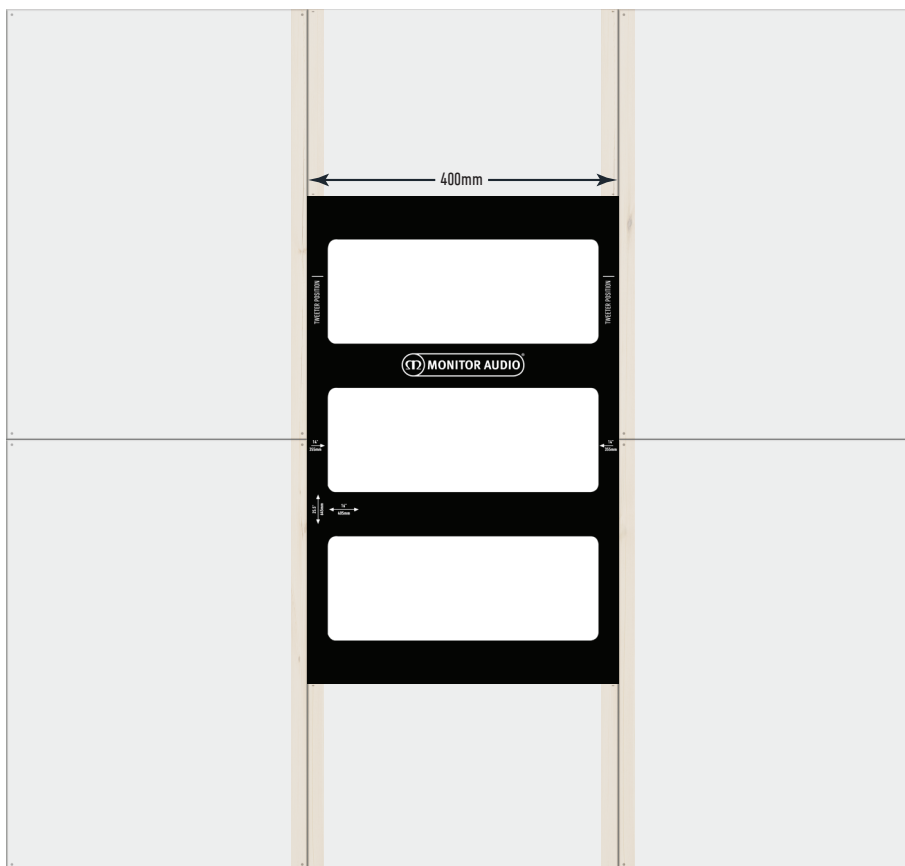
# **INVISIBLE IN-WALL SPEAKER**

## **IV140**

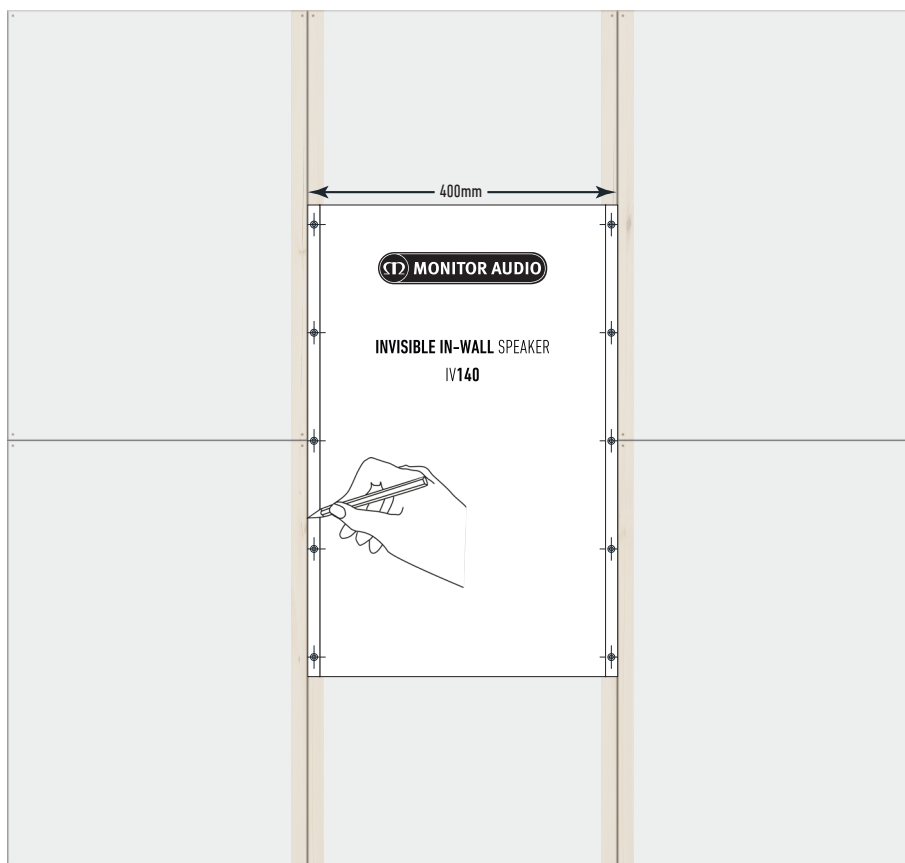
INSTALLATION INSTRUCTIONS

## Installation Instructions

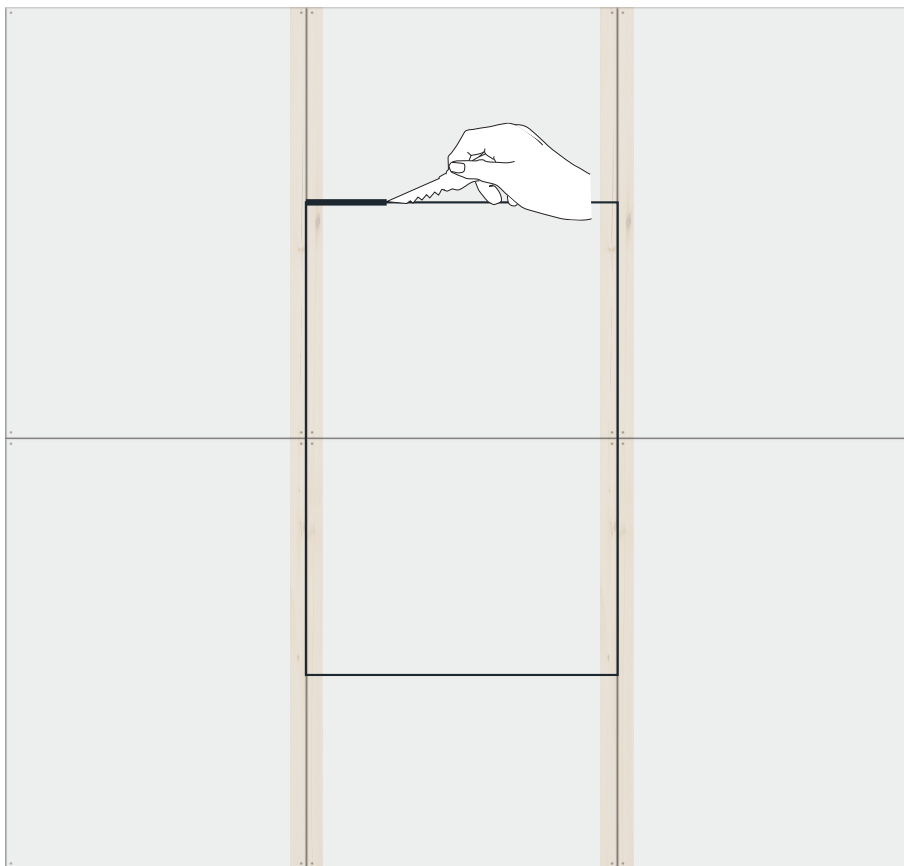
1. If using the pre-construction bracket, place this into position now prior to plaster-boarding. The plasterer can then fix the plasterboard around the pre-construction bracket.



2. If not using the pre-construction bracket and the plaster is all ready up, the location of the studs needs to be accurately determined. Draw around template ensuring the speaker is between the centres of the 400mm studs.



3. Cut around the marked line.

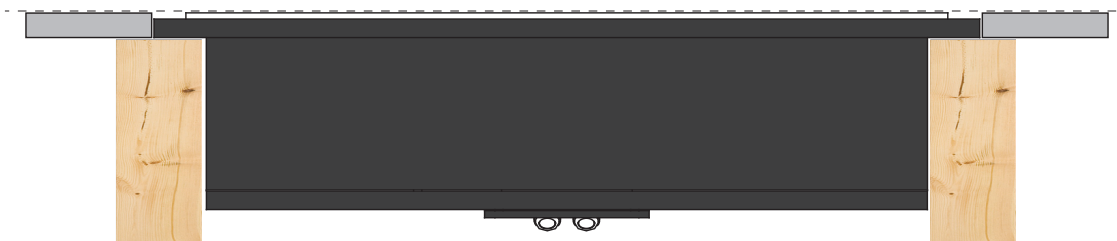


4. Test fit the speaker ensuring it fits neatly in the cut out and that the screw holes line up with the studs.

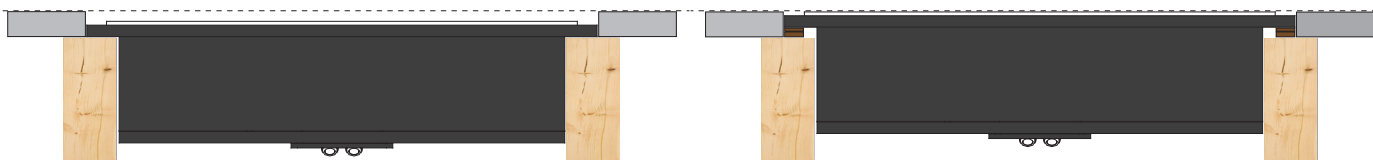


**Do not try to remove the printed membrane off the front of the speaker.**

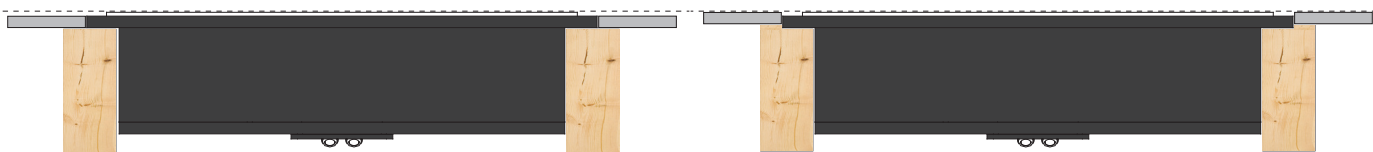
5. Check the depth of the speaker is correct. The front white membrane of the speaker should be flush with the plasterboard. If using 12mm plasterboard, there should need to be any additional work to carry out but checking is advisory.



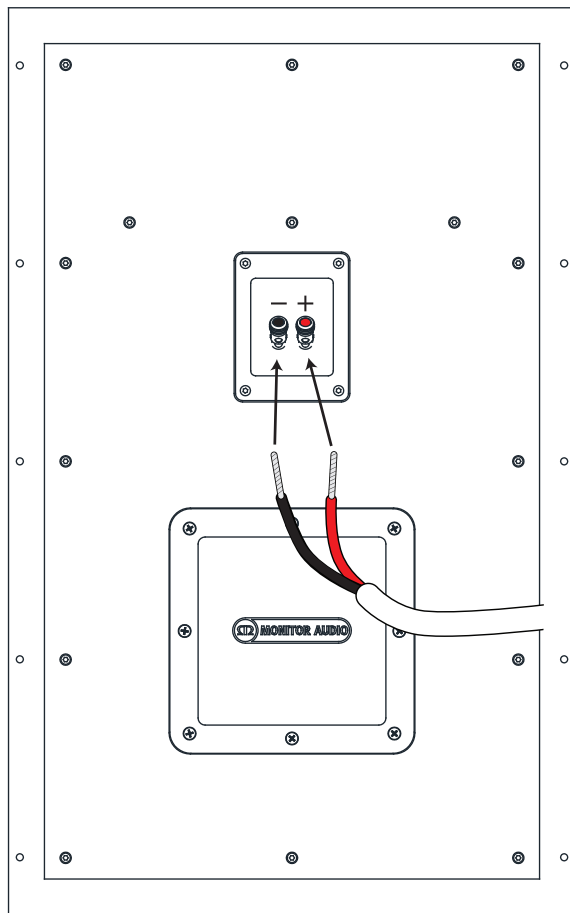
If it is lower than the plasterboard, use the supplied card shims to space it off of the studs.



If it is proud of the plasterboard then some material will need to be taken off the studs to ensure it is flush.

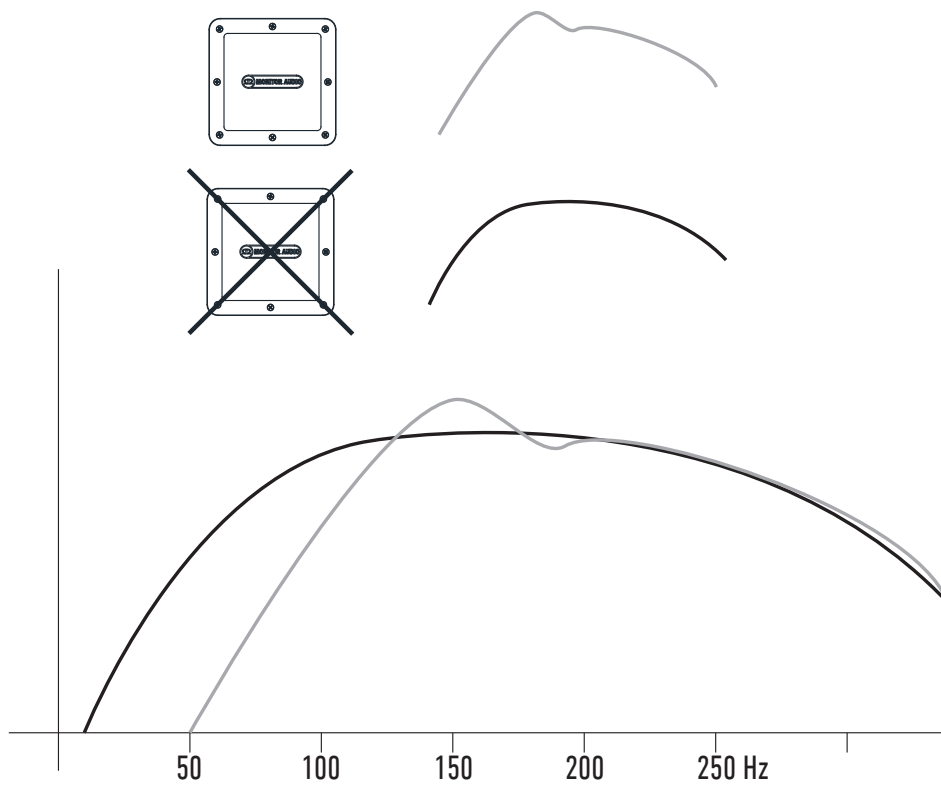


6. Once you are happy with the fit, wire up the speaker and test that it works.

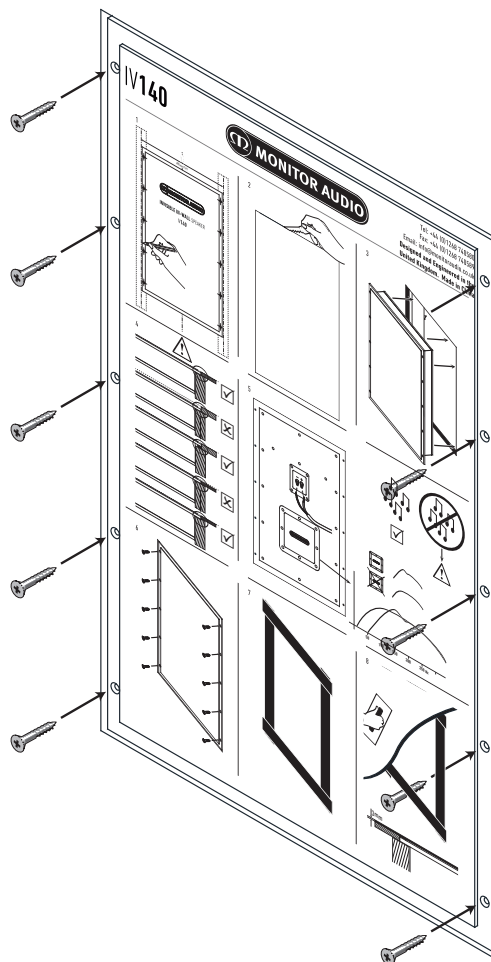


More bass can be achieved by removing the rear plastic square panel just below the terminal panel.

**Note:** The sound heard outside of the wall and without plaster is not a true representation of the final sound you will get.

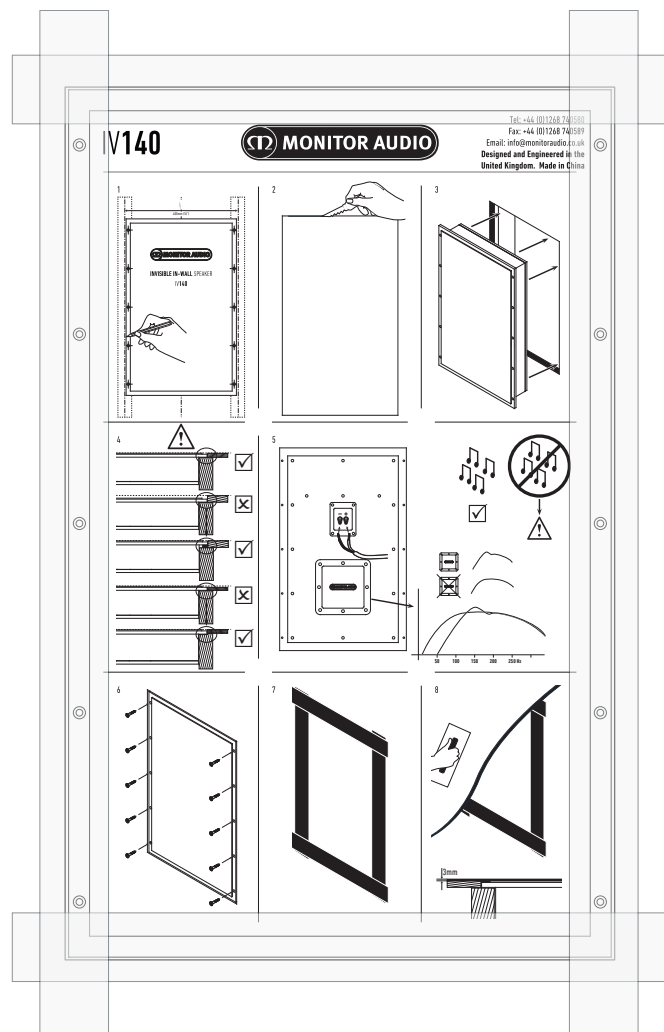


7. Once you are happy with your installation and sound choice, screw the speaker in place



8. Apply webbed tape over the screws so that it bridges the gap between the speaker membrane and the plasterboard. The card shims can be used here as well if you wish to reduce the void between the outer edge of the frame and the membrane - plasterboard level.

9. Plaster the speaker into the wall with no more than 3mm of plaster.





Monitor Audio Ltd.

24 Brook Road

Rayleigh, Essex

SS6 7XJ

England

Tel: +44 (0)1268 740580

Fax: +44 (0)1268 740589

Email: [info@monitoraudio.co.uk](mailto:info@monitoraudio.co.uk)

Web: [www.monitoraudio.com](http://www.monitoraudio.com)

Designed and Engineered

in the United Kingdom.

Made in China

Version 1. 2017